

# MLE180C2-12UD

## Class 2 Electronic UNIV 5 in 1 dimming

Outdoor Black Powder Coated Steel Enclosure

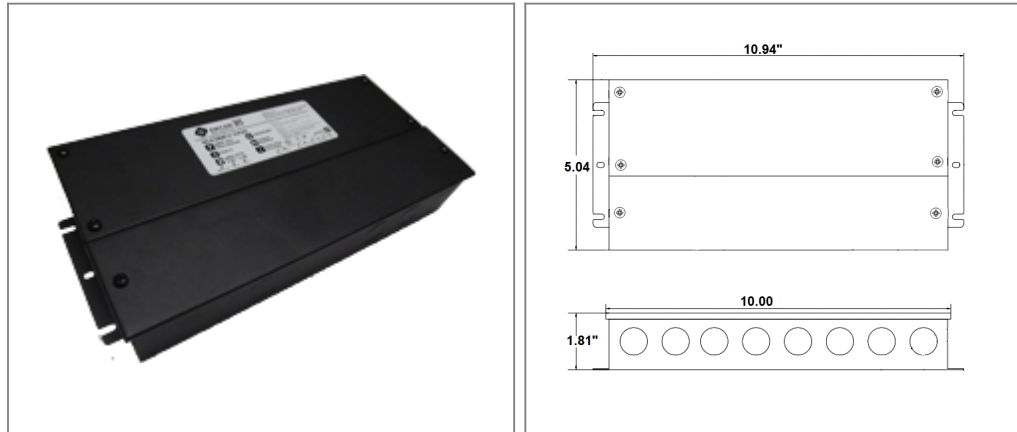
Multi Circuit: **12VDC**

Total Wattage: **180W max**

Input Voltage: **110-277V 50/60Hz**



Conforms to UL STD. 8750  
 Certified to CSA  
 STD. C22.2 № 250.13  
 model MLE180C2-12UD

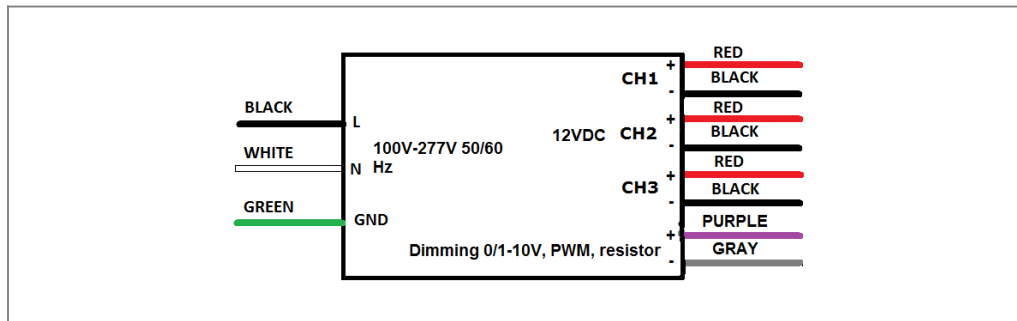


### Transformer

Dimmable with triac forward and reverse phase, 0/1-10V , resistor, PWM  
 Temperature class B(130°C)  
 Input leads are 18AWG 600V  
 Output leads are 16AWG 300V  
 Leads max. operational temperature is 105°C  
 per circuit

### Housing

The actual transformer 180W is encapsulated in the enclosure  
 The enclosure is Black Powder Coated Steel, NEMA 3R rated  
 Wiring compartment has 8 knockouts sizes for 3/8 inch screw cable  
 connectors  
 Enclosure Temperature does not exceed 70°C at 45°C ambient and fully  
 loaded  
 Dimensions (inch): H = 5.04, W = 10.94, D = 1.81  
 Weight (LBs): 4.4



### Electrical Parameters

Input Voltage:	<b>110-277V 50/60Hz</b>	
Max. input current at full load:	<b>1.8A</b>	
Output voltage without load:	<b>12.1VDC</b>	
Output voltage fully loaded:	<b>12VDC</b>	
Max. Total Wattage:	<b>180W</b>	Max. per circuit: <b>60W</b>
Max. Output Current:	<b>5A</b>	per circuit.
Efficiency:	<b>90%</b>	
Load regulation:	<b>1%</b>	
Ripple:	<b>5%</b>	

Mailing Address: 6925 Eton Ave. Canoga Park, CA 91303 Tech support: Arik Nirenberg phone: 818-904-3309 cellphone: 818-269-4091  
 Fax: 818 904 3327 info@emcod.com techsupport@emcod.com