

MLE180C2-12UD

Class 2 Electronic UNIV 5 in 1 dimming

Outdoor Black Powder Coated Steel Enclosure

Multi Circuit: **12VDC**


Total Wattage: **180W max**

Input Voltage: **110-277V 50/60Hz**

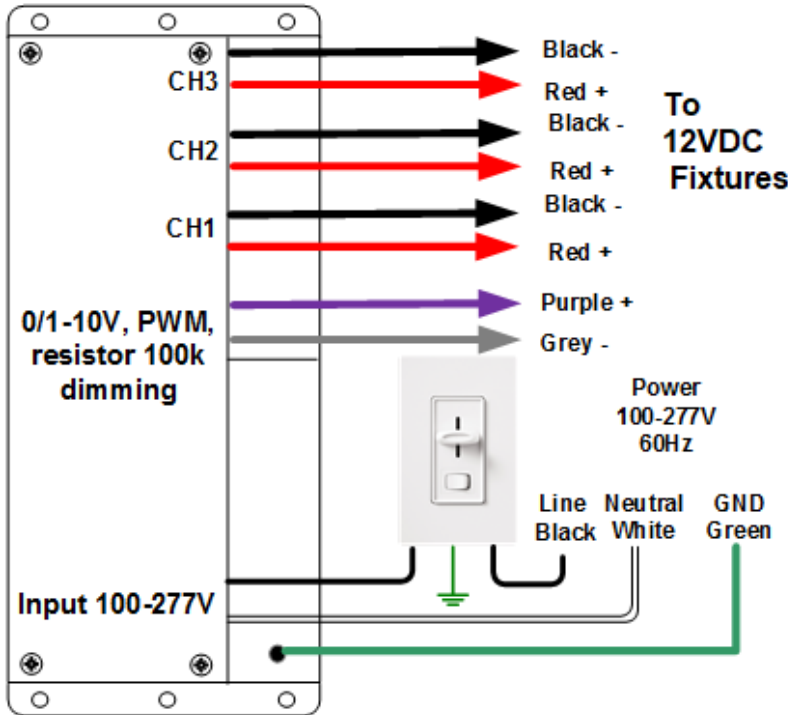


Conforms to UL STD. 8750
Certified to CSA
STD. C22.2 № 250.13
model MLE180C2-12UD

Installation Instruction



- * Read instruction completely before installation.
- * Turn off electricity before wiring.
- * Only qualified personal should install the unit
- * Installation must comply with the NEC.
- * Ensure the unit has input, output voltage and output wattage proper for your application.



Mounting

The transformer must be mounted in at least 10" of a free flow air space for proper ventilation.
The transformer must never be mounted next to or above heat radiated objects.
The maximum ambient temperature should not exceed 45 deg. C (110 deg. F)

Connection

Open the wire compartment and remove knockouts for input and output, install strain reliefs (wire clamps). Use only right size and UL approved wire nuts.

Input Connection

Bring your line and neutral wires through input strain relief and connect them to the Black and White transformers leads.

Output Connection

Bring your lights wires through output strain relief and connect to the Red + and Black - transformer leads to each channel. Make sure all your connection very tight

Grounding

The LED Driver is grounded to the enclosure. The enclosure in turn should be grounded in accordance with NEC and local code. Connect the transformer green wire to the ground.