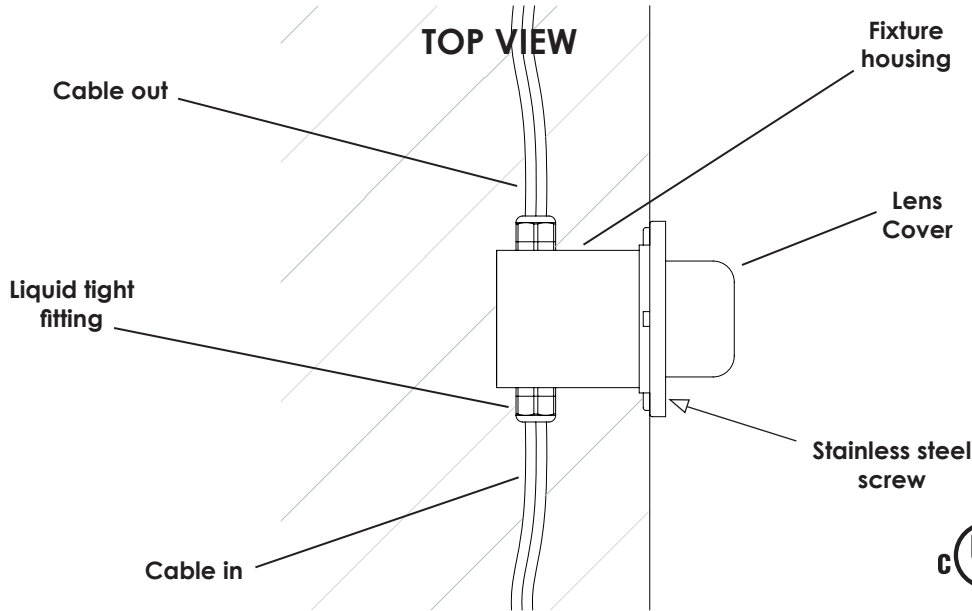




Installation for existing walls/other mounting surfaces:



TOOLS REQUIRED FOR INSTALLATION:

- Wire strippers
- Blade head screwdriver
- Drill
- Cutting saw



FOR USE ONLY WITH LOW VOLTAGE LANDSCAPE POWER UNITS THAT DO NOT EXCEED 25 AMPS, 15 VOLT MAXIMUM.

WARNING: Luminaires must be installed in accordance with the National Electrical Code (NEC) and local codes. Failure to do so will void the warranty and may result in serious injury and/or damage to the luminaire.

SAFETY WARNING: Luminaire can become very hot depending on lamp wattage used. Lens and metal around lamp can become hot enough to blister hands. Particular care should be taken not to locate luminaires where small children can reach them if high wattage lamps are used.

LUMINAIRES ARE NOT TO BE INSTALLED WITHIN 10 FT. (3.05M) OF A POOL OR SPA. SECONDARY CABLE IS NOT TO BE BURIED MORE THAN 6". WHEN USING MULTIPLE LUMINAIRES, LOAD IS NOT TO EXCEED THE TOTAL WATTS OF TRANSFORMER RATING. DO NOT USE EXTENSION CORDS ON POWER UNITS.

NOTE: Always use UL recognized wire connectors for connections.

NOTE: Save these instructions for future reference.

LUMINAIRE IS UL LISTED FOR ABOVE GROUND INSTALLATION ONLY.

LUMINAIRE MOUNTING:

1. To prevent electrical shock, disconnect transformer from electrical supply before installation or service.
 2. Using luminaire housing as a template, mark the location of the housing on the wall or other mounting surface.
 3. Cut hole in wall or other mounting surface to accept housing.
- NOTE:** Remove any insulation within six (6) inches of where luminaire will be mounted.
4. Insert housing into cut hole and secure tightly to wall or other mounting surface.
 5. Strip the two (2) leads from the luminaire wire. Using the two (2) silicone filled safety connectors (provided), connect the leads from the luminaire to the main supply cable leads. Connections should be made within the fixture housing.
 6. Install lens cover to luminaire and tighten screws evenly.
 7. Provide power to the luminaire and check for proper operation.

**IMPORTANT SAFETY INSTRUCTIONS
THE LIGHTED LAMP IS HOT!!**

**WARNING: TO REDUCE THE RISK OF FIRE, OR INJURY TO
PERSONS:**

1. Turn off/unplug and allow to cool before replacing lamp.
2. Lamps get hot quickly! Contact only switch/plug when turning on.
3. Do not touch hot lens, guard or enclosure.
4. Keep lamp away from material that may burn.
5. Do not touch the lamp at any time. Use a soft cloth. Oil from the skin may damage lamp.
6. Do not operate luminaire fitting with a missing or damaged cover.

SAVE THESE INSTRUCTIONS

LAMP INSTALLATION/REPLACEMENT:

CAUTION: Do not exceed maximum wattage marked on luminaire label.

1. To prevent electrical shock, disconnect transformer from electrical supply before service.
2. Loosen the cover screws and remove cover.
3. Remove gasket.
4. Replace lamp with correct wattage and type marked on fixture label.

NOTE: DO NOT touch Halogen lamp with bare hands. Always use soft cloth or the plastic wrapping (if available) from the lamp to handle the lamp.

5. Clean gasket and channel and re-install gasket.
6. Re-install cover and tighten the screws evenly.