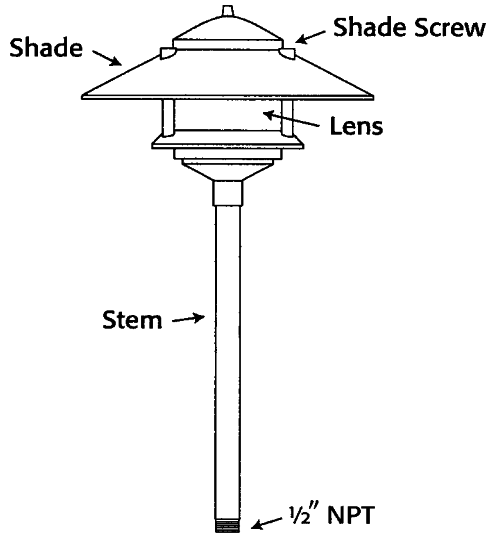




**VISTA
PROFESSIONAL
OUTDOOR
LIGHTING**
A Division of U.S.T.E., Inc.



Lamp Information		
Cat. #	Lamp Type	Max. Watts
1209	A-19	75



INSTALLATION INSTRUCTIONS FOR
LINE VOLTAGE PATH LIGHT
MODEL #1209

WARNING: Luminaire must be installed and grounded in accordance with the National Electrical Code (NEC) and local codes. For portable spear or surface mount using a cord and plug, the luminaire must be plugged into a receptacle protected by a ground fault circuit interrupter (GFI). Failure to do so may result in serious injury and/or damage to the luminaire.

MAINTENANCE: To assure proper operation and efficiency and to prevent luminaire overheating, lens must be kept clean and free of dirt, dust, leaves, trash and mineral deposits from water. A regular schedule maintenance program is recommended.

SAFETY WARNING: Luminaire can become very hot depending on the lamp wattage used. Lens and housing around the lamp can become hot enough to blister hands. Particular care should be taken not to locate luminaires where small children can reach them if high wattage lamps are used.

NOTE: Always use UL recognized wire connectors for connections.

NOTE: Save these instructions for future reference.

LUMINAIRE IS UL LISTED FOR ABOVE GRADE INSTALLATION ONLY.

TOOLS REQUIRED FOR INSTALLATION:

- Flat head screwdriver
- Wire strippers
- Silicone grease
- Thread sealant

Over
↳

INSTALLATION INSTRUCTIONS

1. Make sure electrical supply is off at circuit breaker before starting luminaire installation or servicing luminaire.
2. Thread luminaire onto junction box or other mounting device (by others) using thread sealant.
3. Attach luminaire leads to line in leads observing polarity, black to black, white to white and green to ground using silicone filled safety connectors (provided).
4. Attach junction box cover with luminaire to junction box (by others). Make sure not to pinch wires that may be sandwiched between cover and box.
5. Coat exposed luminaire threads with thread sealant to keep moisture from entering junction box or other mounting device.
6. Install lamp.
7. Install shade, lens and formed gasket and tighten screws evenly.
8. Coat all exposed screws with silicone grease.
9. Supply power to the luminaire and check for proper operation.

LAMP INSTALLATION/REPLACEMENT:

CAUTION: Do not exceed maximum wattage marked on luminaire label.

1. To prevent electrical shock, disconnect from electrical supply before service.
2. Loosen screws from shade.
3. Remove shade, lens and formed gasket to expose lamp.
4. Replace lamp with correct wattage and type marked on fixture label.
5. Re-install shade, lens and formed gasket and tighten screws evenly.