

**DESCRIPTION**

Monaco 6000N is a versatile, HID inground illuminator for use with T4.5, T6 or ED17 metal halide, E17 high pressure sodium and triple tube compact fluorescent lamps. It includes the Venterra(TM) heat & water management system, insuring years of uninterrupted performance. Fixture includes lamp, factory-installed in a waterproof lamp module.

<b>Catalog #</b>		<b>Type</b>	
<b>Project</b>			
<b>Comments</b>		<b>Date</b>	
<b>Prepared by</b>			

**SPECIFICATION FEATURES**

**A ... Material**

Recessed housing and side-mounted wiring compartment are constructed from corrosion-proof, injection-molded polycarbonate. Trim ring is constructed from corrosion-resistant brass or stainless steel.

**B ... Finish: Painted Brass, Natural Brass or Stainless Steel**

Painted trim rings are constructed from solid brass and double protected by a chemical film undercoating and polyester powdercoat paint finish, surpassing the rigorous demands of the outdoor environment. A variety of standard colors available. Machined natural brass or stainless steel trim rings are unpainted to reveal the natural beauty of the material and are available in either round or square forms (for square, specify option -SQ). Brass will patina naturally over time.

**C ... Lens**

Domed 1/2" thick tempered glass lens, factory sealed with high temperature adhesive to prevent water intrusion. Suitable for drive-over applications to 5000 lbs. when -DSB option is specified. An internal temperature reduction lens is available to reduce outer lens temperatures even further (specify option -TRL).

**D ... Hardware**

Stainless steel hardware is standard to provide maximum corrosion-resistance. Outer trim ring includes captive fasteners.

**E ... Socket**

T4.5: Ceramic socket with 250° C Teflon® coated lead wires and G8.5 bi-pin base. T6: Ceramic socket with 250° C Teflon® coated lead wires and G12 bi-pin base. E17 & ED17: Ceramic socket with 250° C Teflon® coated lead wires and medium base. TTT: High temperature plastic socket with 250° C Teflon® coated lead wires and GX24 base.

**F ... Electrical**

Fixture includes integral core & coil ballast assembly (120/208/240/277/347V). Rated for minimum -30° C starting temperature. Ballast assembly is encapsulated in UL-approved waterproof potting material. Electronic ballasts are also available (specify option EL). Core and coil ballasts for 150W & 175W are no longer available, and must now be specified with electronic ballasts only (specify electronic option - EL).

**G ... Reflector**

Reflector is constructed from spun aluminum, clear anodized with Alzak® finish.

**H ... Lamp**

Included as standard. Lamp is factory-installed in sealed lamp module.

**I ... Labels & Approvals**

UL and cUL listed, standard wet label. IP68 rated. Manufactured to ISO 9001-2000 Quality Systems Standard. IBEW union made.

**J ... Warranty**

Lumière warrants its fixtures against defects in materials & workmanship for three (3) years. Auxiliary equipment such as transformers, ballasts and lamps carry the original manufacturer's warranty.

**K ... Recessed Housing**

Recessed housing is available to ship in advance of complete fixture for rough-in purposes. Specify option -LBB and order separately recessed housing and accompanying components from below:

6000-BB  
recessed housing;

6000-CP  
order in conjunction w/recessed housing when CP option is selected;

6000-DSB  
order in conjunction w/recessed housing when DSB option is selected



**MONACO  
6000N**

**70W (max.) T4.5**  
Metal Halide

**150W (max.) T6**  
Metal Halide

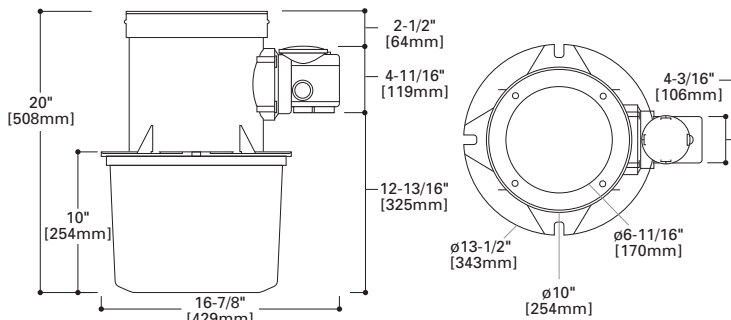
**175W (max.) ED17**  
Metal Halide

**150W (max.) E17**  
High Pressure Sodium

**57W (max.) TTT**  
Compact Fluorescent

**Inground**

**IP68**



Monaco 6000N

## LAMP INFORMATION

Lamp	ANSI Code	Watts	Lumens	CRI	°K	Life (hrs.)	Base	Volts
CF26	60901-IEC-3426-1	26	1710	82	3000	12000	GX24q-3	120-347
CF32	60901-IEC-7432-2	32	2200	82	3000	12000	GX24q-3	120-347
CF42	60901-IEC-7442-2	42	3200	82	3000	12000	GX24q-4	120-347
CF57	60901-IEC-7457-1	57	4300	82	3000	12000	GX24q-5	120-347
HPS35	S76	35	2250	22	1900	16000	medium	120-347
HPS50	S68	50	4000	22	1900	24000	medium	120-347
HPS70	S62	70	6400	22	1900	24000	medium	120-347
HPS100	S54	100	9500	22	2000	24000	medium	120-347
HPS150	S55	150	16000	22	2000	24000	medium	120-347
MH39T4	M130	39	3300	81	3000	9000	G8.5	120-347
MH70T4	M139	70	6400	83	3000	6000	G8.5	120-347
MH39T6	M130PO-REM J	39	3400	81	3000	12,000	G12	120-347
MH70T6	M139PO-REM J	70	6600	82	3000	12,000	G12	120-347
MH150T6	M142PP-REN J	150	14,000	85	3000	12,000	G12	120-347
MH50	M148/M110	50	4250	82	3000	10,000	medium	120-347
MH70	M143/M98	70	6200	82	3000	10,000	medium	120-347
MH100	M140/M90	100	9300	85	3000	12,500	medium	120-347
MH150	M102/M142	150	13,500	93	4200	9000	medium	120-347
MH175	M57	175	13,500	65	4000	10,000	medium	120-347

NOTE: Inferior quality lamps may adversely affect the performance of this product. Use only name brand lamps from reputable lamp manufacturers.

NOTE: MH150T6, MH150 & MH175 are only available with electronic ballasts (-EL)

## ORDERING INFORMATION

Sample Number: 6000N-MH70T6-120-SP1-BK

--	--	--	--	--	--	--

**Series**  
6000N: Non-Adjustable Uplight Monaco  
Inground

**Source**  
**Compact Fluorescent**  
CF26 : 26W Compact Fluorescent TTT, GX24q-3  
CF32 : 32W Compact Fluorescent TTT, GX24q-3  
CF42 : 42W Compact Fluorescent TTT, GX24q-4  
CF57 : 57W Compact Fluorescent TTT, GX24q-5

**High Pressure Sodium**  
HPS35 : 35W High Pressure Sodium E17, Med. Base  
HPS50 : 50W High Pressure Sodium E17, Med. Base  
HPS70 : 70W High Pressure Sodium E17, Med. Base  
HPS100 : 100W High Pressure Sodium E17, Med. Base  
HPS150 : 150W High Pressure Sodium E17, Med. Base

**Metal Halide**  
MH39T4 : 39W Metal Halide T4, G8.5 Base  
MH70T4 : 70W Metal Halide T4, G8.5 Base  
MH39T6 : 39W Metal Halide T6, G12 Base  
MH70T6 : 70W Metal Halide T6, G12 Base  
MH150T6 : 150W Metal Halide T6, G12 Base  
MH50 : 50W Metal Halide ED17, Medium Base  
MH70 : 70W Metal Halide ED17, Medium Base  
MH100 : 100W Metal Halide ED17, Medium Base  
MH150 : 150W Metal Halide ED17, Medium Base  
MH175 : 175W Metal Halide ED17, Medium Base

**Voltage**  
120: 120V  
277: 277V  
208: 208V  
240: 240V  
347: 347V  
UNV : 120-277  
Volts

**Distribution**  
SP : Spot  
NFL : Narrow Flood  
MFL : Medium Flood  
WFL : Wide Flood  
WW : Wall Wash

**Finish**  
**Painted**  
BK: Black  
BZ: Bronze  
CS: City Silver  
VE: Verde  
WT: White  
**Metal**  
NBR: Brass  
NSS: Stainless  
Steel

**Options**  
AXL5 : 5° Axial Spread Lens  
in lieu of standard  
CP : Concrete Pour Cover  
DL : Diffused Lens  
in lieu of standard  
DSB : 5000lb Drive Over Structural  
Bracket Kit  
EL : Electronic HID Ballast  
FUS : Fusing  
LBB : Housing Shipped in Advance  
(select LBB option and order  
recessed housing separately)  
NSL : Non-Slip Textured Lens  
in lieu of standard  
RSL : Radial Spread Lens  
in lieu of standard  
SQ : Square Trim  
in lieu of standard  
TL10 : 10° Tilt Lens  
in lieu of standard  
TL20 : 20° Tilt Lens  
in lieu of standard  
TRL : Temperature Reduction Lens

**Accessories**  
**Filters**  
F71-6: Peach Dichroic Filter, 6.75 Dia  
F72-6: Amber Dichroic Filter, 6.75 Dia  
F73-6: Green Dichroic Filter, 6.75 Dia  
F74-6: Medium Blue Dichroic Filter, 6.75 Dia  
F75-6: Yellow Dichroic Filter, 6.75 Dia  
F76-6: Red Dichroic Filter, 6.75 Dia  
F77-6: Dark Blue Dichroic Filter, 6.75 Dia  
F78-6: Light Blue Dichroic Filter, 6.75 Dia  
F79-6: Neutral Density Dichroic Filter, 6.75 Dia  
F80-6: Magenta Dichroic Filter, 6.75 Dia  
**Optical Louver**  
LVR-6: Hex Cell Louver (reduce glare), 6.75 Dia  
LSL-6: Lineal Spread Lens, 6.75 Dia  
DG : Domed Glare Shield  
HVL : Horizontal / Vertical Louver  
RG : Rock Guard  
SG : Straight Glare Shield  
SGR : Straight Glare Shield / Rock Guard

Notes: \* Lamp included - factory installed.  
\* Consult your Cooper Lighting representative for additional options and finishes.