

DESCRIPTION

Monaco 6000A is a versatile, HID inground illuminator for use with T4.5, T6 or ED17 metal halide, E17 high pressure sodium and triple tube compact fluorescent lamps. It includes the Venterra™ heat & water management system, insuring years of uninterrupted performance. The exclusive Beam-Driver™ aiming system provides up to 15° tilt and 360° rotation of the lamp beam allowing precision aiming without disturbing the sealed lamp module or looking into the energized lamp source, simply by using a conventional cordless drill or screwdriver. Adjustment mechanisms are then concealed securely beneath the trim ring. Fixture includes lamp, factory-installed in a waterproof lamp module.

SPECIFICATION FEATURES

A ... Material

Recessed housing and side-mounted wiring compartment are constructed from corrosion-proof, injection-molded polycarbonate. Trim ring is constructed from corrosion-resistant brass or stainless steel.

B ... Finish: Painted Brass, Natural Brass or Stainless Steel

Painted trim rings are constructed from solid brass and double protected by a chemical film undercoating and polyester powdercoat paint finish, surpassing the rigorous demands of the outdoor environment. A variety of standard colors available. Machined natural brass or stainless steel trim rings are unpainted to reveal the natural beauty of the material and are available in either round or square forms (for square, specify option -SQ). Brass will patina naturally over time.

C ... Lens

Domed 1/2" thick tempered glass lens, factory sealed with high temperature adhesive to prevent water intrusion. Suitable for drive-over applications to 5000 lbs. when -DSB option is specified. An internal temperature reduction lens is available to reduce outer lens temperatures even further (specify option -TRL).

D ... Hardware

Stainless steel hardware is standard to provide maximum corrosion-resistance. Outer trim ring includes captive fasteners.

E ... Socket

T4.5: Ceramic socket with 250° C Teflon® coated lead wires and G8.5 bi-pin base. T6: Ceramic socket with 250° C Teflon® coated lead wires and G12 bi-pin base. E17 & ED17: Ceramic socket with 250° C Teflon® coated lead wires and medium base. TTT: High temperature plastic socket with 250° C Teflon® coated lead wires and GX24 base.

F ... Electrical

Fixture includes integral core & coil ballast assembly (120/208/240/277/347V). Rated for minimum -30° C starting temperature. Ballast assembly is encapsulated in UL-approved waterproof potting material. Electronic ballasts are also available (specify option EL). Core and coil ballasts for 150W & 175W are no longer available, and must now be specified with electronic ballasts only (specify electronic option - EL).

G ... Reflector

Reflector is constructed from spun aluminum, clear anodized with Alzak® finish.

H ... Lamp

Included as standard. Lamp is factory-installed in sealed lamp module.

I ... Labels & Approvals

UL and cUL listed, standard wet label. IP68 rated. Manufactured to ISO 9001-2000 Quality Systems Standard. IBEW union made.

J ... Warranty

Lumière warrants its fixtures against defects in materials & workmanship for three (3) years. Auxiliary equipment such as transformers, ballasts and lamps carry the original manufacturer's warranty.

K ... Recessed Housing

Recessed housing is available to ship in advance of complete fixture for rough-in purposes. Specify option -LBB and order separately recessed housing and accompanying components from below:

6000-BB
recessed housing;

6000-CP
order in conjunction w/recessed housing when CP option is selected;

6000-DSB
order in conjunction w/recessed housing when DSB option is selected

| | | |
|-------------|--|------|
| Catalog # | | Type |
| Project | | |
| Comments | | Date |
| Prepared by | | |



**MONACO
6000A**

70W (max.) T4.5
Metal Halide

150W (max.) T6
Metal Halide

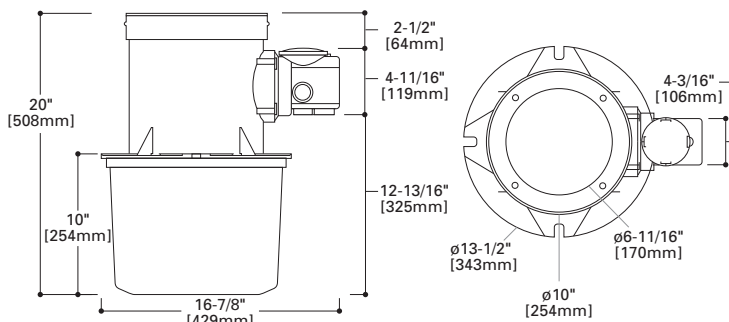
175W (max.) ED17
Metal Halide

150W (max.) E17
High Pressure Sodium

57W (max.) TTT
Compact Fluorescent

Inground

IP68



Monaco 6000A

LAMP INFORMATION

| Lamp | ANSI Code | Watts | Lumens | CRI | °K | Life (hrs.) | Base | Volts |
|---------|------------------|-------|--------|-----|------|-------------|---------|---------|
| CF26 | 60901-IEC-3426-1 | 26 | 1710 | 82 | 3000 | 12000 | GX24q-3 | 120-347 |
| CF32 | 60901-IEC-7432-2 | 32 | 2200 | 82 | 3000 | 12000 | GX24q-3 | 120-347 |
| CF42 | 60901-IEC-7442-2 | 42 | 3200 | 82 | 3000 | 12000 | GX24q-4 | 120-347 |
| CF57 | 60901-IEC-7457-1 | 57 | 4300 | 82 | 3000 | 12000 | GX24q-5 | 120-347 |
| HPS35 | S76 | 35 | 2250 | 22 | 1900 | 16000 | medium | 120-347 |
| HPS50 | S68 | 50 | 4000 | 22 | 1900 | 24000 | medium | 120-347 |
| HPS70 | S62 | 70 | 6400 | 22 | 1900 | 24000 | medium | 120-347 |
| HPS100 | S54 | 100 | 9500 | 22 | 2000 | 24000 | medium | 120-347 |
| HPS150 | S55 | 150 | 16000 | 22 | 2000 | 24000 | medium | 120-347 |
| MH39T4 | M130 | 39 | 3300 | 81 | 3000 | 9000 | G8.5 | 120-347 |
| MH70T4 | M139 | 70 | 6400 | 83 | 3000 | 6000 | G8.5 | 120-347 |
| MH39T6 | M130PO-REM J | 39 | 3400 | 81 | 3000 | 12,000 | G12 | 120-347 |
| MH70T6 | M139PO-REM J | 70 | 6600 | 82 | 3000 | 12,000 | G12 | 120-347 |
| MH150T6 | M142PP-REN J | 150 | 14,000 | 85 | 3000 | 12,000 | G12 | 120-347 |
| MH50 | M148/M110 | 50 | 4250 | 82 | 3000 | 10,000 | medium | 120-347 |
| MH70 | M143/M98 | 70 | 6200 | 82 | 3000 | 10,000 | medium | 120-347 |
| MH100 | M140/M90 | 100 | 9300 | 85 | 3000 | 12,500 | medium | 120-347 |
| MH150 | M102/M142 | 150 | 13,500 | 93 | 4200 | 9000 | medium | 120-347 |
| MH175 | M57 | 175 | 13,500 | 65 | 4000 | 10,000 | medium | 120-347 |

NOTE: Inferior quality lamps may adversely affect the performance of this product. Use only name brand lamps from reputable lamp manufacturers.

NOTE: MH150T6, MH150 & MH175 are only available with electronic ballasts (-EL)

ORDERING INFORMATION

Sample Number: 6000A-MH70T6-120-SP1-BK

| | | | | | | |
|--|--|--|--|--|--|--|
| | | | | | | |
|--|--|--|--|--|--|--|

Series

6000A: Beam-Driver Aiming System with 15° Tilt, 360° Rotation Monaco

Source

Compact Fluorescent

CF26: 26W Compact Fluorescent TTT, GX24q-3

CF32: 32W Compact Fluorescent TTT, GX24q-3

CF42: 42W Compact Fluorescent TTT, GX24q-4

CF57: 57W Compact Fluorescent TTT, GX24q-5

High Pressure Sodium

HPS35: 35W High Pressure Sodium E17, Med. Base

HPS50: 50W High Pressure Sodium E17, Med. Base

HPS70: 70W High Pressure Sodium E17, Med. Base

HPS100: 100W High Pressure Sodium E17, Med. Base

HPS150: 150W High Pressure Sodium E17, Med. Base

Metal Halide

MH39T4: 39W Metal Halide T4, G8.5 Base

MH70T4: 70W Metal Halide T4, G8.5 Base

MH39T6: 39W Metal Halide T6, G12 Base

MH70T6: 70W Metal Halide T6, G12 Base

MH150T6: 150W Metal Halide T6, G12 Base

MH50: 50W Metal Halide ED17, Medium Base

MH70: 70W Metal Halide ED17, Medium Base

MH100: 100W Metal Halide ED17, Medium Base

MH150: 150W Metal Halide ED17, Medium Base

MH175: 175W Metal Halide ED17, Medium Base

Voltage

120: 120V

277: 277V

208: 208V

240: 240V

347: 347V

UNV: 120-277 Volts

Distribution

SP: Spot

NFL: Narrow Flood

MFL: Medium Flood

WFL: Wide Flood

WW: Wall Wash

Finish

Painted

BK: Black

BZ: Bronze

CS: City Silver

VE: Verde

WT: White

Metal

NBR: Brass

NSS: Stainless Steel

Options

AXL5: 5° Axial Spread Lens in lieu of standard

CP: Concrete Pour Cover

DL: Diffused Lens in lieu of standard

DSB: 5000lb Drive Over Structural Bracket Kit

EL: Electronic HID Ballast

FUS: Fusing

LBB: Housing Shipped in Advance (select LBB option and order recessed housing separately)

NSL: Non-Slip Textured Lens in lieu of standard

RSL: Radial Spread Lens in lieu of standard

SQ: Square Trim in lieu of standard

TL10: 10° Tilt Lens in lieu of standard

TL20: 20° Tilt Lens in lieu of standard

TRL: Temperature Reduction Lens

Accessories

Filters

F71-6: Peach Dichroic Filter, 6.75 Dia

F72-6: Amber Dichroic Filter, 6.75 Dia

F73-6: Green Dichroic Filter, 6.75 Dia

F74-6: Medium Blue Dichroic Filter, 6.75 Dia

F75-6: Yellow Dichroic Filter, 6.75 Dia

F76-6: Red Dichroic Filter, 6.75 Dia

F77-6: Dark Blue Dichroic Filter, 6.75 Dia

F78-6: Light Blue Dichroic Filter, 6.75 Dia

F79-6: Neutral Density Dichroic Filter, 6.75 Dia

F80-6: Magenta Dichroic Filter, 6.75 Dia

Optical Louver

LVR-6: Hex Cell Louver (reduce glare), 6.75 Dia

LSL-6: Lineal Spread Lens, 6.75 Dia

DG: Domed Glare Shield

HVL: Horizontal / Vertical Louver

RG: Rock Guard

SG: Straight Glare Shield

SGR: Straight Glare Shield / Rock Guard

- Notes: *
- Lamp included - factory installed.
 - Consult your Cooper Lighting representative for additional options and finishes.