



# ASSEMBLY/INSTALLATION INSTRUCTION

Please read carefully before installation  
SAVE THESE INSTRUCTIONS

## Directional Lighting



### Assembly Instructions

- 1- Screw ground spike into fixture.
- 2- To install bulb: Turn the cap counter clockwise, Push bulb pins in socket holes carefully until seated. Then turn the cap clockwise to close.

INSTRUCTIONS PERTAINING TO A RISK OF  
FIRE, OR INJURY TO PERSONS.

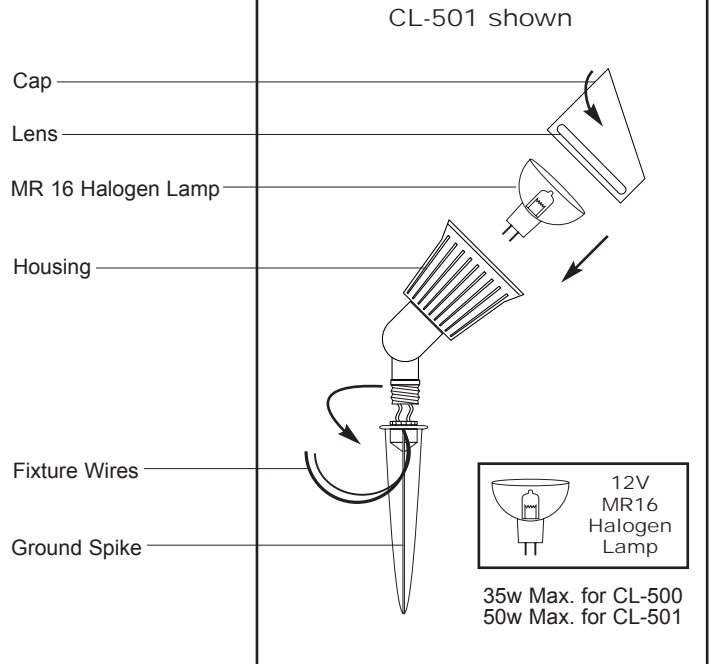
IMPORTANT SAFETY INSTRUCTIONS  
LIGHTED LAMP IS HOT!

Warning: TO REDUCE THE RISK OF FIRE OR  
INJURY TO PERSONS:

- Turn off/un-plug and allow to cool before replacing lamp.
- Lamp gets HOT quickly! Contact only switch/plug when turning on.
- Do not touch hot lens, guard or enclosure.
- Keep lamp away from materials that may burn.
- Do not touch the lamp at any time. Use a soft cloth.  
Oil from skin may damage lamp.
- Do not operate the luminaire fitting with a missing or damaged shield.

#### Caution:

Fixture(s) must be installed in accordance with all local codes and ordinances.  
Do not install within 10 feet of a pool, spa or fountain.



### Installation Instruction

Fixture(s) should be used "ONLY" with low voltage landscape power units that do not exceed 25A, 15V.

The power units reduce the voltage from 120 volts to 12 volts.

The main cable from power units should be buried for less than 6 inches under the ground level and can be purchased from your local electric supply house.

1. Attach fixture(s) wires to main cable with UL cable connector suitable for direct burial.  
Warning: Fixture(s) wires have to be run in close proximity to fixture(s) and not buried more than 3 inches.
2. Dig a small hole and insert fixture spike into ground and turn on power unit.

CL-500 shown



SAVE THESE INSTRUCTIONS

### Limited Warranty

Corona Lighting warrants its products to be free of defects in material and workmanship under normal use, when installed in accordance with installation instructions, specifications and accepted trade practices as follows:

- Aluminum and composite components: One year limited warranty from date of sale.
- Brass and stainless steel components: Five years limited warranty from date of sale.
- Transformers: Ten years limited warranty from date of sale (excluding timers, photocells and other accessories).  
Limited life time warranty on stainless steel enclosures.

This warranty excludes:

1. Light bulbs.
2. Products not used in accordance with directions specified in installation instructions and subject to un-authorized repair.
3. Damages caused by accident, alteration, misuse, abuse and exceeding the cost of product.
4. Costs incurred in shipment, repair, replace, remove or install of product by buyer and others.

#### Limit of Liability and other conditions

- Corona Lighting reserves the right to issue credit, repair or replace the defective product at our option upon receipt of written notification by original buyer of the alleged defect. Corona Lighting assumes no responsibility for improper installation of the product and shall not be liable for any incidental or consequential damages resulting from use of this product.
- The use of other company's products or components in conjunction with Corona Lighting's products may not covered by UL classifications and could be hazardous. Such usage, whether covered by UL classifications or not, automatically voids Corona Lighting product warranty.
- Corona Lighting does not authorize any other warranty, verbal or written except as described here.
- Corona Lighting reserves the right to make any changes to its products without prior notice.

Visit Corona Lighting's Web Site @ [www.coronalighting.com](http://www.coronalighting.com) for complete products information.

Corona Lighting, Inc. ; Los Angeles, California

A1-101R

©All Rights Reserved • Unauthorized duplication is a violation of applicable laws.