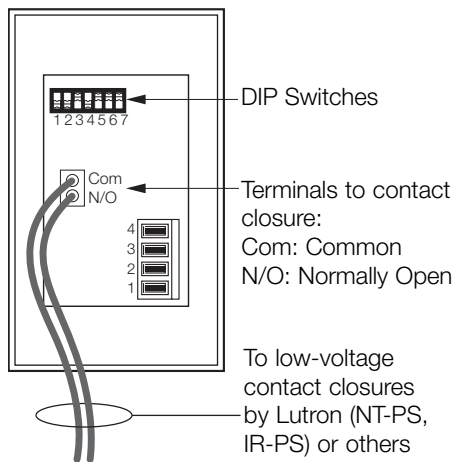
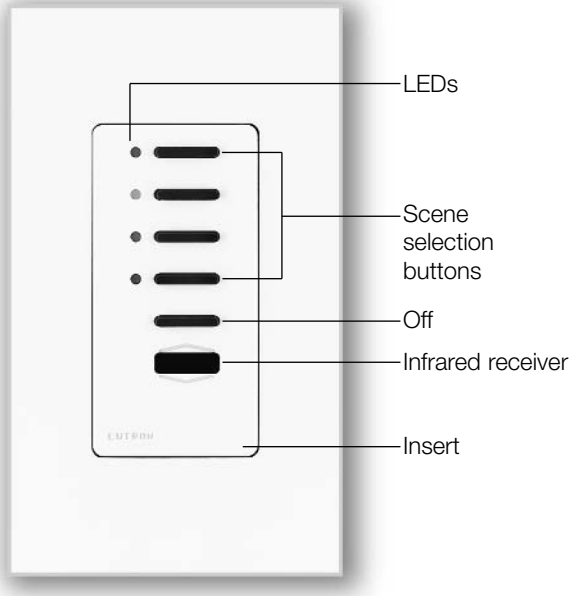


Color and Finish Codes

NTGRX-SI4S-IR-__-__
Switch Interface, 4-Scene with Off,
and IR Receiver Wallstation



Description

- Ideal for partitionable spaces. Allows user to access different sets of scenes depending on whether partition wall is open or closed.
- Terminals on the back of the Wallstation connect to a contact closure such as a switch on a movable wall.
- Scene selection functionality can be selected in the field.
- Occupants can also select scenes using a GRX-IT Wireless Remote Control.
- Status LEDs indicate which scene is selected.
- Off button turns all lights off.
- Raise/lower button on GRX-IT Wireless Remote Control brightens or dims all lighting in the selected scene.
- Works with GRAFIK Eye 3000 and 4000 Series Control Units.
- Selects scenes in just one Control Unit or a group of up to eight Control Units. (Locate the Control Units away from the usable space so occupants must control lighting from the Wallstation.)

Contact Closure Specifications

- Maintained dry contact closure only - 15mA minimum.
- Terminals accept one #18 AWG (1.0mm²) standard wire.

Finish and Engraving Options

- Available with engraving to meet specific project needs.
- Available in a “no-insert” version for a sleeker look.

Field Selected Functionality

DIP Switch Settings	When contact is OPEN, scene selection buttons and GRX-IT select:	When contact is CLOSED, scene selection buttons and GRX-IT select:
5 6		
	Scenes 1 to 4	Scenes 1 to 4
	Scenes 5 to 8	Scenes 1 to 4
	Scenes 9 to 12	Scenes 9 to 12
	Scenes 13 to 16	Scenes 9 to 12

Job Name:	Model Numbers:
Job Number:	

Specifications

Power

Low-voltage type Class 2 (PELV).
Operating voltage: 12/24 V Direct Current.

Key Design Features

- Meets IEC 801-2. Tested to withstand 15kV electro-static discharge without damage or memory loss.
- Faceplate snaps on with no visible means of attachment.
- Can be ganged to share a common faceplate with NovaT* and Vareo Dimmers. Counts as a "small control" for ganging.

System Communications and Capacity

- Low-voltage type Class 2 (PELV) wiring connects Wallstations to Control Units and other components.
- Up to 8 Control Units and up to 16 total Wallstations and/or Control Interfaces may be linked for a total of 24 control points.

Terminals

Accept up to two #18 AWG (1.0mm²) typical.

Environment

32-104°F (0-40°C). Relative humidity less than 90% non-condensing.

Color and Finish Codes

Matte Finishes

Standard – Ship in 48 hours
White WH
Ivory IV
Beige BE
Gray GR
Brown BR
Black BL

Metal Finishes

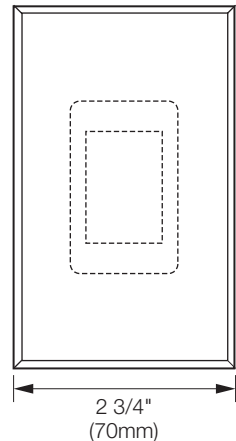
Ship in 4 to 6 weeks
Bright Brass BB
Bright Chrome BC
Bright Nickel BN
Satin Brass SB
Satin Chrome SC
Satin Nickel SN
Antique Brass QB
Antique Bronze QZ

Anodized Aluminum Finishes

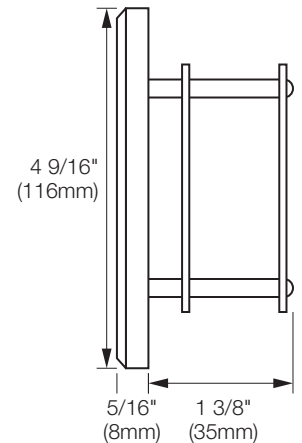
Ship in 4 to 6 weeks
Clear CLA
Black BLA
Brass BRA
Engraving E
No Insert NI

Also available:
-Custom Controls
-Color Matching
Ship in 4 to 6 weeks. Pricing may vary depending on finishes.

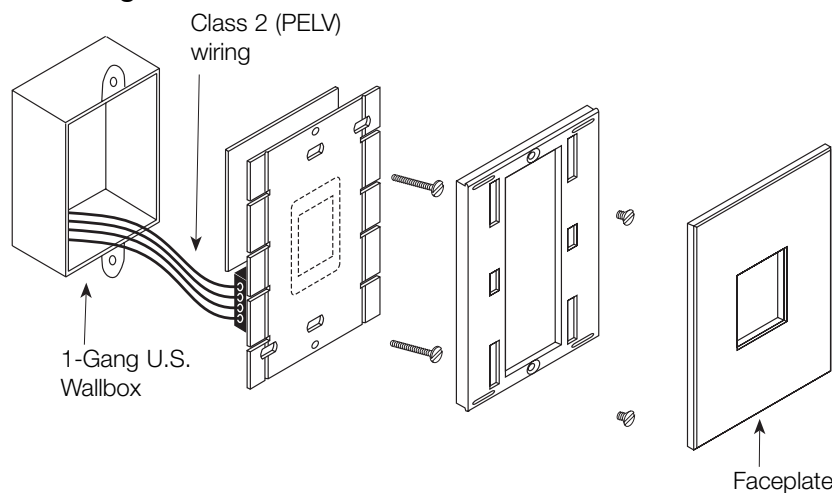
Dimensions Front View



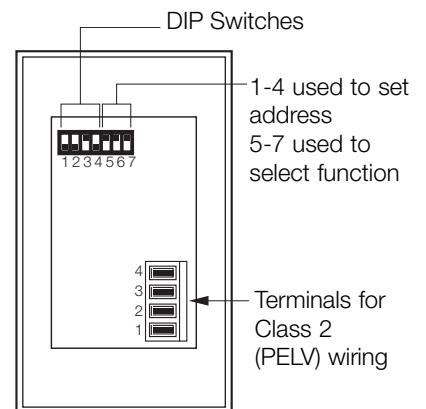
Side View



Mounting



Back View



Job Name:

Model Numbers:

Job Number:

Wallstation Installation

DIP Switches

- Set DIP switches 1-4 to give the Wallstation a unique system address from 1 to 16.
- Set additional DIP switches (if any) to specify function as shown on the first page of the Wallstation's Specification Submittal.

Address	DIP Switch Settings			
	1	2	3	4
1				
2				
3				
4				
5				
6				
7				
8				
9				
10				
11				
12				
13				
14				
15				
16				

Reserved for GRX-PRG, if present on link.

Low-Voltage Class 2 (PELV) Wiring

- Use low-voltage Class 2 (PELV) wiring to daisy-chain Wallstations to Control Units and other components.
- Make connections inside the wallbox or in a switch/junction box with a maximum wire length of 8 feet (2.5m) from the link to the Wallstation.

Note: EGRX Wallstations have a "D" terminal for Drain. Connect the Drain/Shield at this terminal.

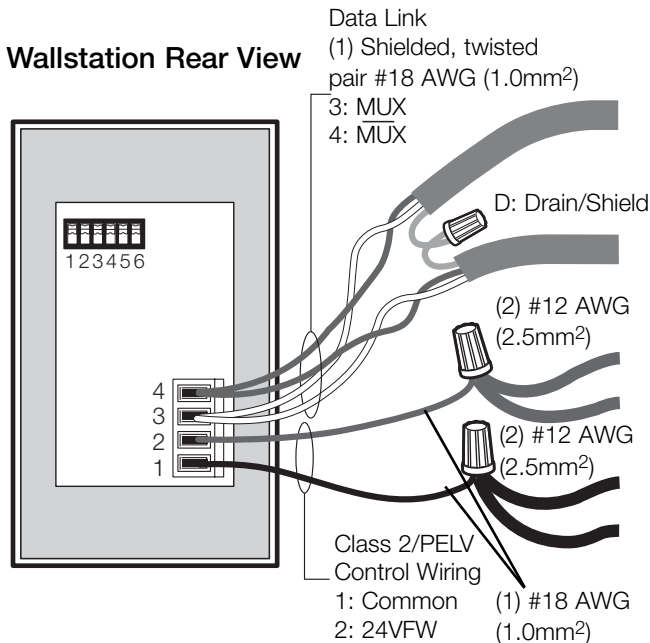
When used with GRAFIK Eye 3000 Control Units:

- Two #18 AWG (1.0mm²) conductors for common (terminal 1) and 12 V Direct Current (terminal 2). Ensure that the terminal 2 connection is wired correctly. Refer to GRX-3000 Specification Submittal.
- One shielded, twisted pair #18 AWG (1.0mm²) for data link (terminals 3 and 4).

When used with GRAFIK Eye 4000 Control Units:

- Two #12 AWG (2.5mm²) conductors for common (terminal 1) and 24 V Direct Current (terminal 2). These won't fit in terminals. Connect as shown.
- One shielded, twisted pair #18 AWG (1.0mm²) for data link (terminals 3 and 4).
- Connect Drain/Shield as shown. Do not connect to Ground (Earth) or Wallstation. Connect the bare drain wires and cut off the outside shield.

Wallstation Rear View



Job Name:	Model Numbers:
Job Number:	