

FDBI Fluorescent Dimming Ballast Interface



Description

- Provides capability for GRAFIK Eye 3000 Series Control Units and LP Dimming Panels to dim fluorescent lights that have Lutron Hi-Lume® and Eco-10™ (Eco-Series) line-voltage control Electronic Dimming Ballasts.
- Models available for 120V, 220-240V (non-CE), or 100V input power.

Works with:

- GRAFIK Eye 3000 Series Control Units
- LP Dimming Panels
- HomeWorks Remote Power Panels
- Neutral-referenced fluorescent wallbox dimmers by Lutron.

Models and Capacities

Input Power	Capacity	Model Number
120V	16A	GRX-FDBI-16A-120
220-240V (non-CE)	10A	NGRX-FDBI-AU-WH
100V	16A	NGRX-FDBI-JA-WH

Job Name:	Model Numbers:
Job Number:	

Specifications

Power

- Input power: 120V, 220-240V (non-CE), or 100V. All voltages 50/60 Hz, phase-to-neutral.
- Load (output) power: Phase independent of Control Unit.

Sources/Load Types

Operates Lutron Hi-lume® and Eco-10™ (Eco-Series) line-voltage control Electronic Fluorescent Dimming Ballasts with a smooth continuous Square Law dimming curve.

Key Design Features

Patented RTISS™ circuitry compensates in real time for incoming line voltage variations: No visible flicker with +/-2% change in RMS voltage/cycle and +/-2% Hz change in frequency/second.

Terminals

Accept up to two #12 AWG (2.5mm²).

Environment

32-104°F (0-40°C). Relative humidity less than 90% non-condensing.

Mounting

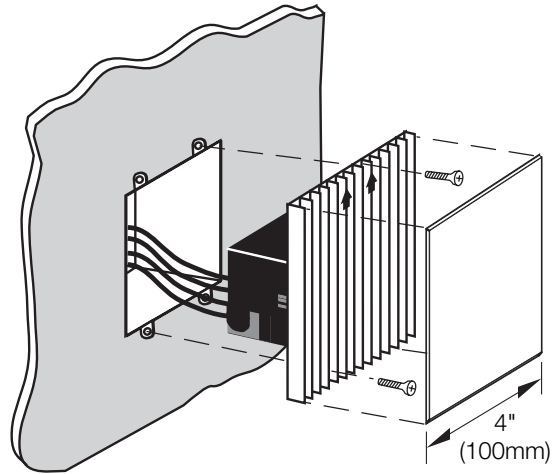
Surface or recess mount indoors only.

<p>Job Name:</p>	<p>Model Numbers:</p>
<p>Job Number:</p>	

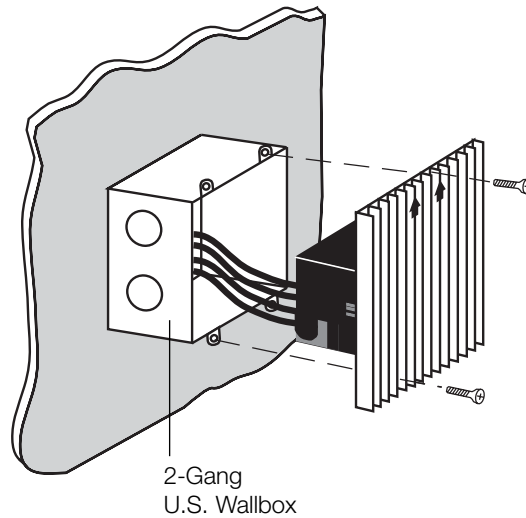
Dimensions And Mounting

- Recess or surface mount in 2-gang U.S. wallbox 3.5" (89mm) deep. Indoors only.
- FDBI Interface generates heat; mount only where ambient temperature is 32-104°F (0-40°C).
- Mount with arrows facing up to ensure adequate cooling.
- Allow 4.5" (114mm) above and below unit and between faceplates when mounting several in a vertical layout.
- For better heat dissipation, surface mount without faceplate.
- Mount so line (mains) voltage wiring is at least 6 feet (1.8m) from sound or electronic equipment and wiring.
- Mount Interface within 7° of true vertical.

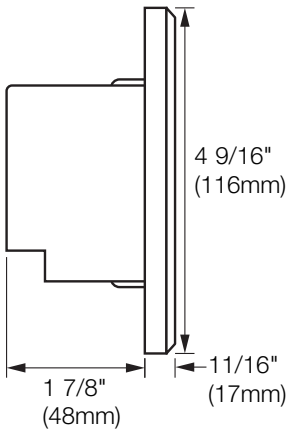
Recess Mount with Faceplate



Surface Mount without Faceplate



Side View



<p>Job Name:</p>	<p>Model Numbers:</p>
<p>Job Number:</p>	

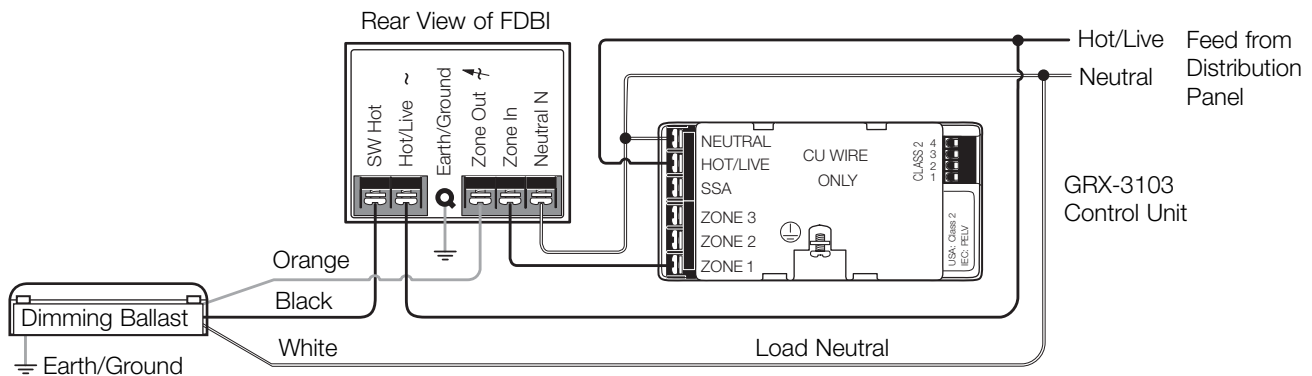
Wiring

- Pull #12 AWG (2.5mm²) Copper (Cu) wires (75°C minimum) for input power and load circuit.
- Strip 1/2" (12mm) insulation from wires before connecting.
- Run separate neutral for load circuit - no common neutrals. Neutral (N) terminal is for Control Unit, not the load neutral.

Single Power Feed

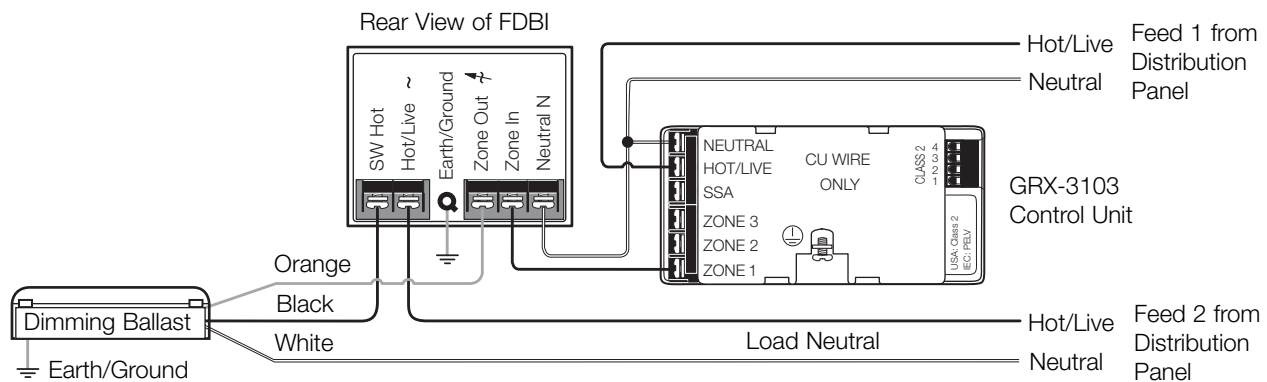


The FDBI may be on the same circuit as the Control Unit only if the total load does not exceed the rating of the breaker.



Multiple Power Feeds

The load breaker/MCB may be on a different phase than the control breaker/MCB.



With Other Lutron Lighting Controls

To wire an FDBI Interface to a fluorescent dimmer:

- Run a Neutral wire from the control equipment to Neutral N on the FDBI.
- Run a dimmed hot wire from the control equipment to Zone In on the FDBI.

Job Name:	Model Numbers:
Job Number:	