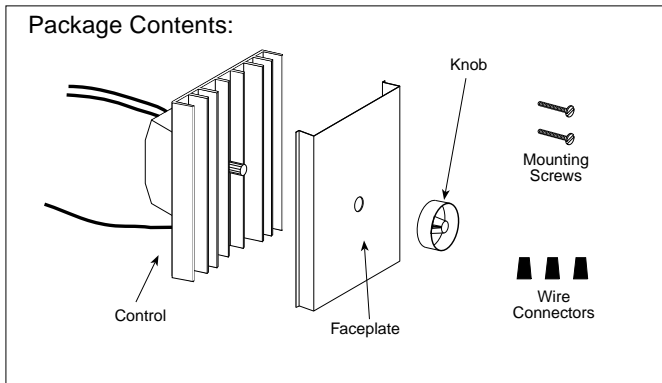


Table Of Contents

Package Contents	1
Important Notes	1
Single Unit Installation	1
Multigang Installation	2
Installation Assistance	2



Important Notes

Please Read Before Installation

Lamp Type: Use this product with incandescent and quartz lamps *only*--120VAC, 60Hz. Do *not* connect to low-voltage lamps or any appliance.

Caution: To avoid overheating and possible damage to other equipment, do not install to control receptacles, fluorescent lighting fixtures, motor-operated appliances, or transformer supplied appliances.

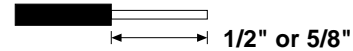
Short Circuit Check: Check new installation for short circuits prior to installation of dimmer by using a single pole switch and connecting the appropriate terminals to the hot wire and the lamp with power OFF. Turn power on. If lights do not work, or breaker trips, a short is present. Correct the wiring and check circuit again. Install dimmer only when short is no longer present.

Wire Connectors: Wire connectors provided can be used to join one 10-, 12-, 14-, 16-, or 18-gauge wire with one or two 12- or 14-gauge wires. Use them with copper wire *only*. Do not use with aluminum wire.

Switchbox and Location: A single-gang switchbox (3" high x 2" wide x 2 1/2" deep) will service all individual Centurion dimmers. These dimmers are designed to operate in ambient temperatures from 0°C to 40°C (32°F to 104°F). Allow a minimum space of 4 1/2" above and below the dimmers for proper heat dissipation.

Single Unit Installation

1. Turn power OFF at fusebox or circuit breaker. Wiring with power on can result in personal injury. Damage to product caused by wiring with power on voids warranty.
2. Remove knob and faceplate from dimmer to prevent damage and to access mounting holes. First remove knob by pulling straight off. Then slide the faceplate either up or down to remove.
3. Strip insulation from dimmer wires and from wires to which dimmer is to be connected as follows:
 - 1/2" for 10, 12, and 14 gauge wire
 - 5/8" for 16 and 18 gauge wire



- Using the wire connectors provided, connect the green or bare ground wire on the dimmer (if present) to the green or bare copper ground wire in the wallbox. **Note:** If a green or bare copper ground wire is not in the wallbox, contact a licensed electrician.
- Connect the 2 dimmer leads to the 2 wallbox leads (see Figure A). The hot wire may be connected to either of the dimmer wires. Be sure copper conductor is not exposed.

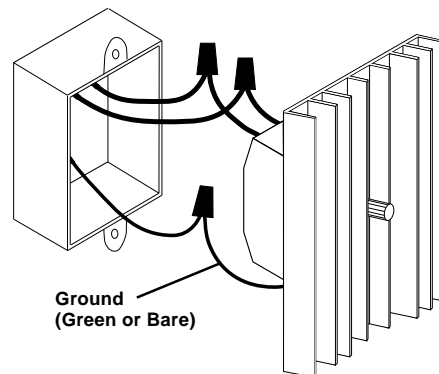
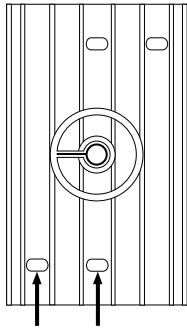


Figure A. Switchbox Wiring

4. Push wires into switchbox, allowing room for dimmer backbox to be inserted.

5. Mount dimmer to switchbox using 2 screws provided and center mounting holes. Unit *must* be mounted vertically. See Figure B.



Offset Mounting Holes Center Mounting Holes

Figure B. Front View - Single Unit Installation

6. Remove protective plastic sheet from faceplate. Replace faceplate by sliding back on to dimmer. Align knob, and press onto shaft. See Figure C.

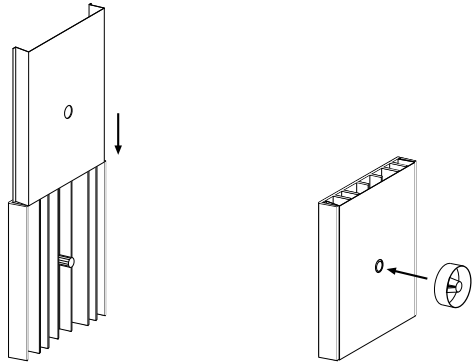


Figure C. Replace Faceplate and Knob

7. Turn power ON. Turn knob clockwise to increase light intensity; counterclockwise to decrease light intensity and click off.

Multigang Installation

In multigang installations several dimmers or controls are grouped horizontally in one ganging switchbox or in a series of connected switchboxes. Use Table A to determine how many switchboxes are required.

Note: Do not break off side sections when ganging Athena dimmers.

Worldwide Technical and Sales Assistance

If you have questions concerning the installation or operation of this product, call the **Lutron Technical Assistance Hotline:**

(800) 523-9466 (U.S.A., Canada, and the Caribbean)

Other countries call (610) 282-3800

Fax (610) 282-3090

LUTRON®

1. When ganging any combination of small dimmers (T-600, T-1000) and large dimmers (T-1500, T-2000), keep all small together at one end of the gang and all large dimmers together at the other end of the gang.

Table A. Switchbox Requirement Chart
No Side Sections Removed

	Number of Small Controls							
	0	1	2	3	4	5	6	
	Number of Switchboxes Required							
Number	0	0	1	1+1*	4	4+1*	7	1+7*
of Large	1	1	3	5	6	8	9	11
Controls	2	4	6	7	9	10	12	13
	3	6	8	10	11	13	14	16
	4	9	11	12	14	15	17	18

*See item #2

2. When ganging an even number of small controls use gangable switchboxes with tapped ears. Do not use plaster rings or gangbox covers. One switchbox in addition to the total number of controls is required in order to provide space for faceplates (e.g. 4 dimmers require 5 switchboxes). Place additional switchboxes $\frac{3}{4}$ " apart from other switchbox(es) to provide space for faceplate(s). See Figure D.

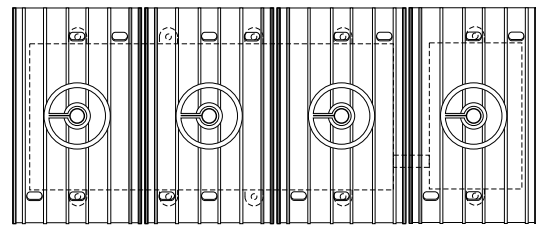
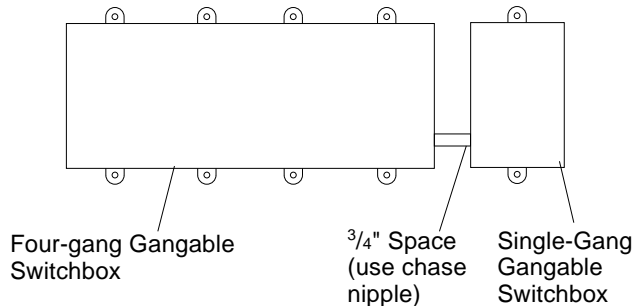


Figure D. Switchbox Positioning Four-Gang Controls

Warranty

Lutron will, at its option, repair or replace any control that is defective in materials or manufacture within one year after the purchase. For warranty service, return unit to place of purchase or mail to Lutron at 7200 Suter Road, Coopersburg, PA 18036-1299, postage prepaid.

This warranty is in lieu of all other warranties, express or implied, and the implied warranty of merchantability is limited to one year from purchase. This warranty does not cover the cost of installation, removal, or reinstallation, or damage resulting from misuse, abuse, or improper wiring or installation.

This warranty gives you specific legal rights, and you may also have other rights which vary from state to state. Some states do not allow the exclusion or limitation of incidental or consequential damages or limitations on how long an implied warranty may last, so the above limitations and exclusions may not apply to you.

Lutron Electronics Co., Inc.
7200 Suter Road
Coopersburg, PA 18036-1299

Made and printed in U.S.A. 8/97 P/N 030-092 Rev. B