



Installation Instructions

Please Leave for Occupant

V-600, V-1000

Electronic Tapswitch Dimmers

VETS-1000, VETS-1000-SL

Electronic Tapswitches

VETS-R, VETS-A-SL

Auxiliary Tapswitch

Incandescent Applications

These controls are for use with incandescent and quartz lamps only, 120VAC, 60Hz. Do not connect to receptacles, fluorescent fixtures or motor-operated or transformer-supplied appliances.

Magnetic Low-Voltage Applications

These controls are for use with low-voltage incandescent and quartz lamps only. Do not connect to receptacles, fluorescent fixtures, or motor-operated appliances. Use with core and coil (magnetic) low-voltage transformers. Do not attempt to control a solid-state electronic low-voltage transformer. Call the **Lutron Hotline** and ask for Application Note 19: "Guide to Dimming Low-Voltage Lighting." Operation of a dimmed low-voltage circuit with all lamps removed or inoperative may result in current flow in excess of normal levels. To avoid possible transformer failure, Lutron strongly recommends the following:

- Do not operate dimmed low-voltage circuits without operative lamps in place.
- Replace burned-out bulbs immediately.
- Use transformers which incorporate thermal protection or fuse transformer primary windings to prevent transformer failure due to overcurrent.

Fluorescent Switching Applications

(VETS-1000 and VETS 1000-SL only)

For use with electronic fluorescent ballasts, consult the **Lutron Hotline**. Some high power factor magnetic fluorescent ballasts with shunt capacitor connection for compact fluorescent lamps may not operate properly with this control. Contact your ballast manufacturer or the **Lutron Hotline** for more information.

Important Notes

- Install in accordance with the National Electric Code and all applicable local electrical codes.
- These controls are designed to operate in ambient temperatures from 0°C to 40°C (32°F to 104°F).
- Wire connectors provided are suitable for copper wire only. Use to join one 10, 12, 14, 16, or 18 gauge wire with one or two 12 or 14 gauge wires. *Ces connecteurs conviennent seulement au fil de cuivre.*
Strip insulation from all wires:
 - 1/2" for 10, 12, and 14 gauge.
 - 5/8" for 16 and 18 gauge.



- Check for short circuits in new installations before wiring controls. With power OFF, use appropriate switch and connect to line and lamp. Turn power ON. If breaker trips, a short is present. Correct wiring and check circuit again. Install control only when short is no longer present.

- Auxiliary Switching:
V-600, V-1000, VETS-1000 use a VETS-R for auxiliary switching from up to (9) additional locations. VETS-A-SL uses a VETS-A-SL for auxiliary switching from up to (4) additional locations. Controls will not work with standard 3-way and 4-way switches.
- VETS-1000-SL requires a neutral connection. Its auxiliary, VETS-A-SL, does not require a neutral connection.
- Multiphase applications: Use a separate neutral for each phase containing a control circuit. For more information, call the **Lutron Hotline** and ask for Application Note 17, "Common Neutral Interaction."

Installation

If more than one control is to be installed in the same wallbox, review Multigang Installation section (back page) before beginning.

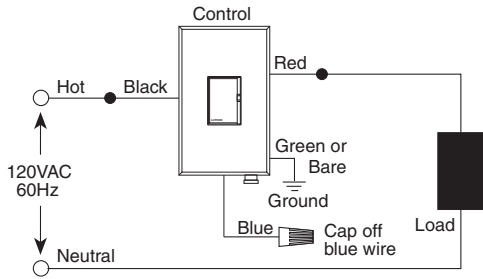
- Turn power OFF at fusebox or circuit breaker.
WARNING: Wiring with power on may result in personal injury. Damage to this product caused by wiring with power on voids warranty.
- Remove faceplate and faceplate adapter from control to prevent damage and to access mounting holes. Pull from top of faceplate to remove. Unscrew faceplate adapter. Set aside.
- Wire Control per appropriate wiring diagram (see next page) using wire connectors provided. Dots on diagrams represent wire connectors and color names refer to the wire color on the control.

Model Number	Wiring Diagram
V-600, V-1000, VETS-1000	
Single-Pole	1
3-Way	2
4-Way	3
VETS-R	
3-Way	2
4-Way	3
VETS-1000-SL	
Single-Pole	4
3-Way	5
4-Way	6
VETS-A-SL	
3-Way	5
4-Way	6

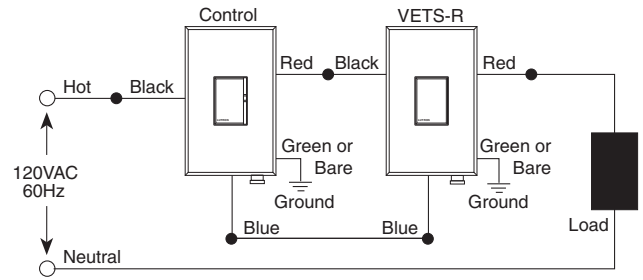


Wiring Diagrams

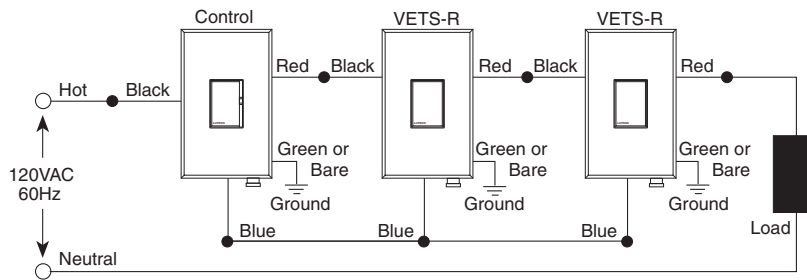
Wiring Diagram 1



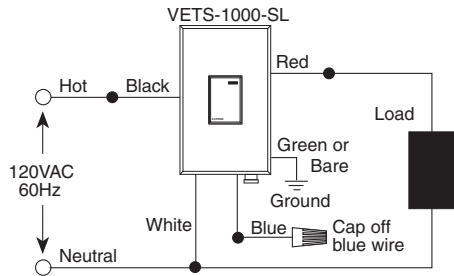
Wiring Diagram 2



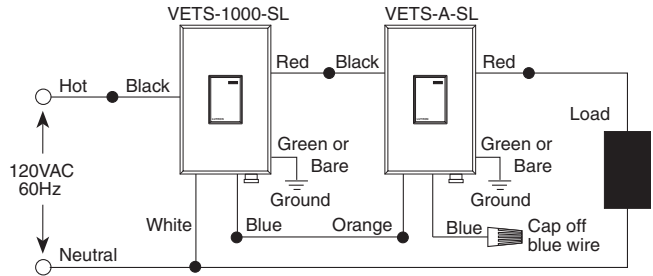
Wiring Diagram 3



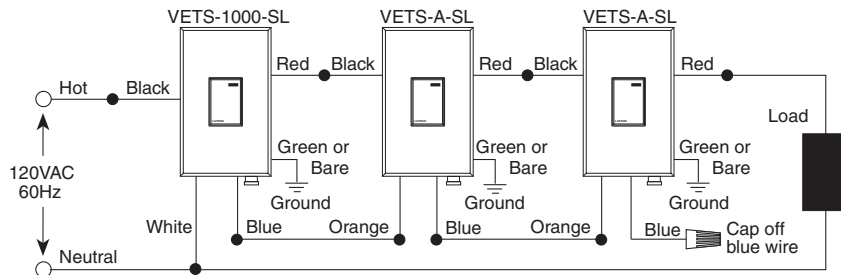
Wiring Diagram 4



Wiring Diagram 5

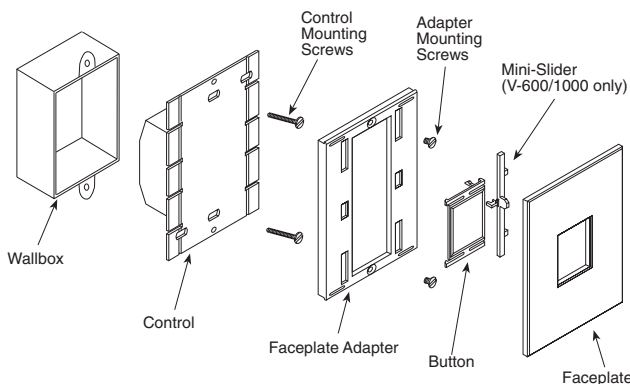


Wiring Diagram 6



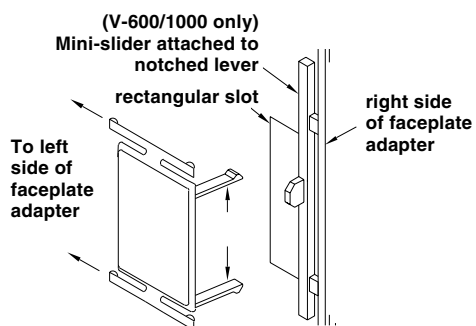
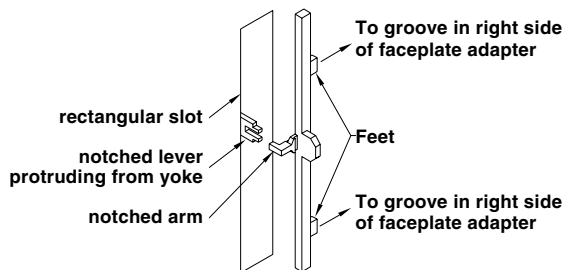
Mounting Instructions

1. Push wires into wallbox, allowing room for control backbox to be inserted. Do not pinch wires between wallbox and control.
2. Mount control to wallbox using screws provided. Controls must be mounted vertically. See stamp on control for correct positioning.
3. Separate faceplate from faceplate adapter by holding assembly in one hand while unsnapping the faceplate from the top.
4. Mount control with mounting screws provided. (See diagram below)
5. Screw on faceplate adapter.



Component Assembly

1. V-600 and V-1000 only: hold the Vareo mini-slide with the two feet facing right and the notched arm facing left. Fit the feet in the groove in the right side of the adapter plate and fit the arm into the notched slider in the control. Slide it up and down to make sure the fit is correct.
2. To mount the button, hold it so the name "LUTRON" is right side up. Fit the feet in the groove in the left side of the faceplate adapter. Push the two legs on right side of button gently into slot in control. Button should fit loosely but not fall out. Snap faceplate on to the faceplate adapter.



Operation

Dimmers

Push button in center of control to turn lights on to preset level (set by slider) and to turn lights off. Raise slider to increase light intensity. Lower slider to decrease light intensity.

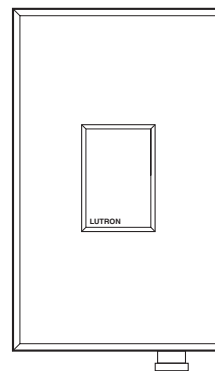
Electronic Tapswitches

Push button in center of control to turn lights on and off.

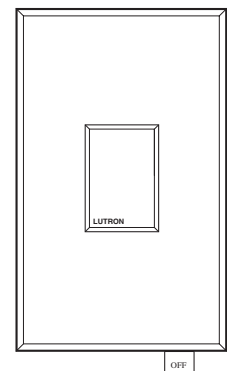
Electronic Tapswitches with Status Light

Push button in center of control to turn lights on and off. The status light will be lit when the circuit is on. The status light will turn off when the circuit is off. can also be accomplished by moving slider forward and backward on remote control.

For routing lamp replacement, power may be conveniently removed from fixtures by pulling clear FASS™ (Front-Accessible Service Switch) so OFF is visible (see below). For any other procedure other than routine lamp replacement, power must be disconnected at main electrical panel. FASS switch must be returned to the up (ON) position in order to operate lights.



System ON



System OFF

FASS Switch Location

Multigang Installation

Multiple controls can be installed in a common gangable wallbox or a series of interconnected wallboxes for a clean, consolidated appearance. Lutron multigang faceplates are available to complete the installation. Refer to instruction sheet supplied with multigang faceplates for installation.

For new installations, controls can be ganged without removing side sections, but, to reduce the size of the multigang installation or to fit existing wallboxes, inner side sections must be removed. Because side sections are designed to dissipate heat, removing them requires derating the capacity of the control.

Note: When ganging any combination of small and large controls, place all small controls on one end of the gang and all large controls on the other. Use the chart below to determine the size and rating of each control.

Control Size and Rating Chart

Model	Control Size	No Sides Removed	1 Side Removed	2 Sides Removed
V-600	S	600W	500W	400W
V-1000	S	1000W	900W	700W
VETS-1000	S	1000VA	900VA	700VA
VETS-R	S	N/A	N/A	N/A
VETS-1000-SL	S	1000W	900W	700W
VETS-A-SL	S	N/A	N/A	N/A

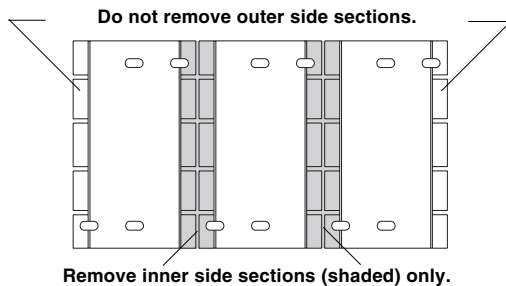
Side Sections Removed

(Capacity Reduction Required)

Wallbox Requirement Chart

	Number of Small Controls								
	0	1	2	3	4	5	6		
Number of Large Controls	0	1	2	3	4	5	6	7	8
	1	3	4	5	6	7	8	9	10
	2	5	6	7	8	9	10	11	12
	3	7	8	9	10	11	12	13	14
	4	9	10	11	12	13	14		

Remove inner side sections from controls. Using pliers, bend side sections up and down until they break off.



Worldwide Technical and Sales Assistance

If you have questions concerning the installation or operation of these products, call the **Lutron Hotline:** (800) 523-9466 (U.S.A., Canada, and the Caribbean) Other Countries call (610) 282-3800 Fax (610) 282-3090

No Side Sections Removed

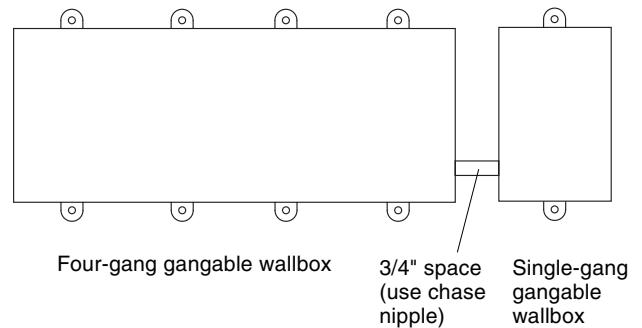
(Capacity Reduction Not Required)

Wallbox Requirement Chart

	Number of Small Controls				
	0	1	2	3	4
Number of Large Controls	0	1	1+1	4	4+1
	1	3	5	6	
	2	4	6	7	
	3	6	8		
	4	9			

Note: When ganging an even number of small controls with side sections intact, use gangable 3"x2" wallboxes. Space an additional wallbox 3/4" apart from the other wallboxes. A 3/4" chase nipple is recommended as a spacer between wallboxes.

Example: Wallbox arrangement required for ganging 4 small controls with no side sections removed:



Warranty

Lutron will, at its option, repair or replace any unit that is defective in materials or manufacture within one year after purchase. For warranty service, return unit to place of purchase or mail to LUTRON at 7200 Suter Road, Coopersburg, PA 18036-1299, postage prepaid.

This warranty is in lieu of all other warranties, express or implied, and the implied warranty of merchantability is limited to one year from purchase. This warranty does not cover the cost of installation, removal, or reinstallation, or damage resulting from misuse, abuse, or damage resulting from improper wiring or installation. This warranty gives you specific legal rights, and you may also have other rights which vary from state to state. Some states do not allow the exclusion or limitation of incidental or consequential damages or limitations on how long an implied warranty may last, so the above limitations may not apply to you.

Lutron Electronics Co., Inc.
7200 Suter Road
Coopersburg, PA 18036-1299 U.S.A.
Made and printed in U.S.A. 8/95 P/N 030-409 Rev. A